

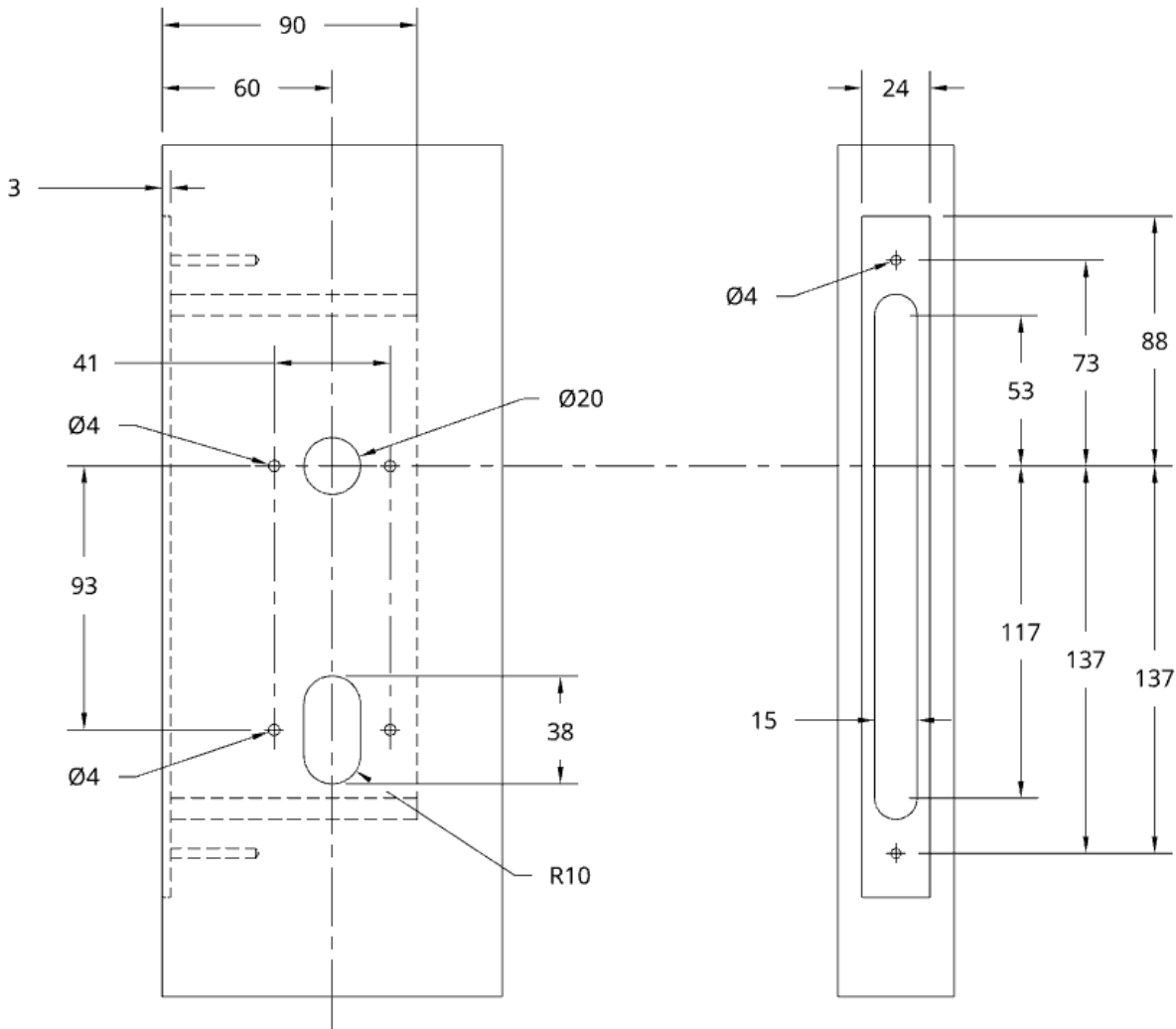
FITTING INSTRUCTIONS

MINI LEVER AND LATCH SET



1. Door Preparation

Prepare the door leaf, by using the below template



Timber Door drilling template. Not to scale.

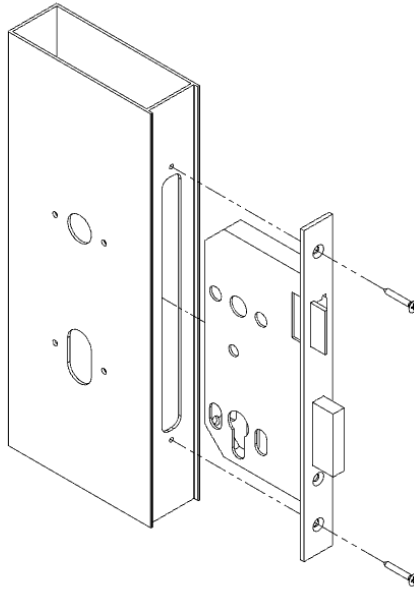


NEW ZEALAND | 0800 10 10 28
sales@parkwooddoors.co.nz
parkwooddoors.co.nz

AUSTRALIA | 1800 681 586
sales@parkwooddoors.com.au
parkwooddoors.com.au

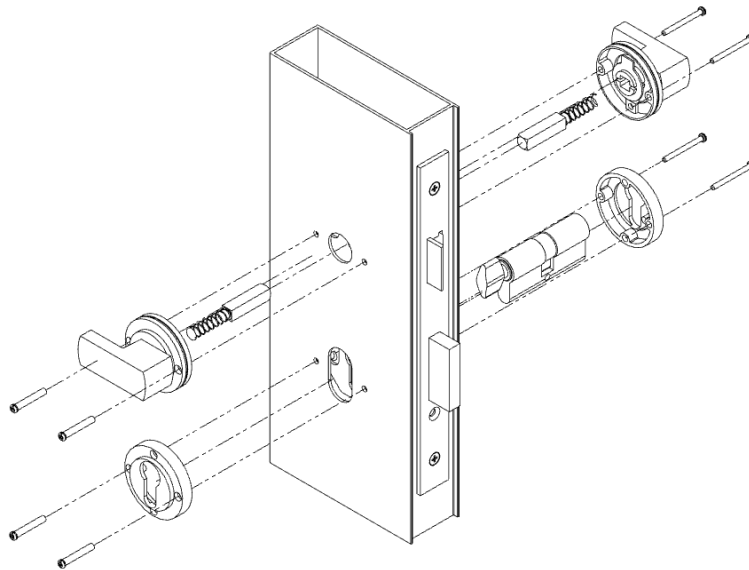
2. Insert Lock Body

Insert lock body and fasten to the stile with the screws provided.



2. Mount Latch

Remove rose from latch and cylinder face plates. Insert cylinder and drive bar and fasten the face plates to the stile using the sleeved screws provided.

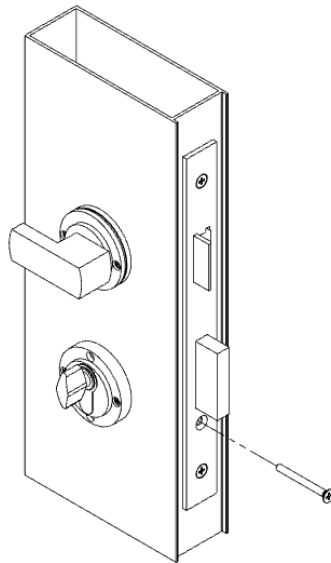


NEW ZEALAND | 0800 10 10 28
sales@parkwooddoors.co.nz
parkwooddoors.co.nz

AUSTRALIA | 1800 681 586
sales@parkwooddoors.com.au
parkwooddoors.com.au

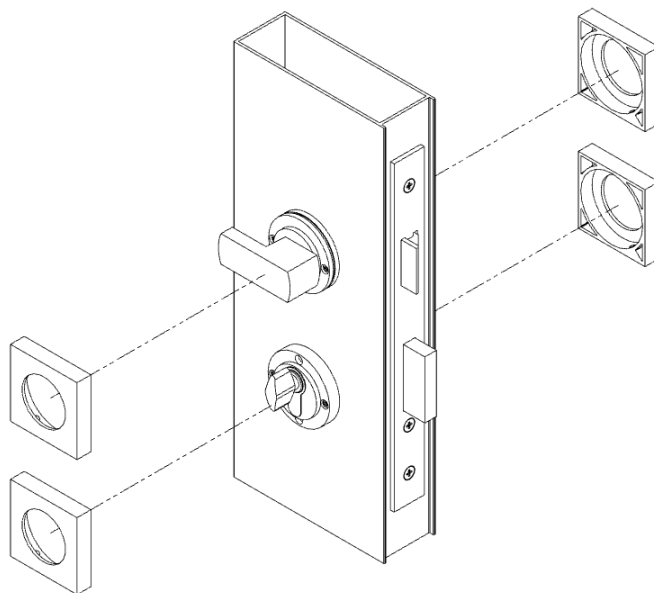
3. Secure Cylinder

Secure the cylinder using the screw provided.



4. Fit Roses

Resecure rose on face plate.



NEW ZEALAND | 0800 10 10 28
sales@parkwooddoors.co.nz
parkwooddoors.co.nz

AUSTRALIA | 1800 681 586
sales@parkwooddoors.com.au
parkwooddoors.com.au