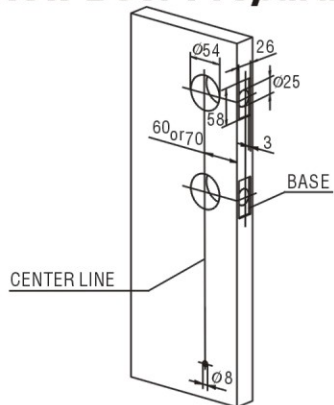


# HOW TO INSTALL THIS ENTRANCE HANDLESET

● Fit Doors 35mm(1-3/8") to 50mm(2") Thick

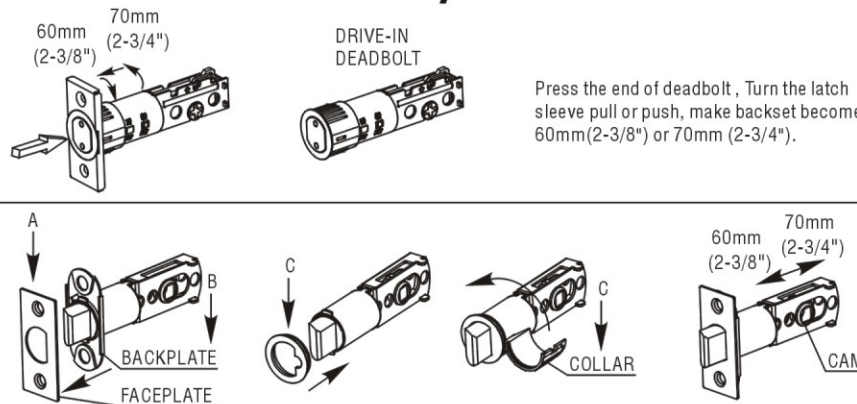
● Backset 60 mm (2-3/8") / 70 mm (2-3/4")

## New Door Preparation



- A:** Fold template on edge of door, mark site 60mm(2-3/8") or 70mm(2-3/4") of holes.
- B:** Drill two Ø54mm(2-1/8") and a Ø8mm(5/16") holes through door. (from both sides to avoid damaging door).
- C:** Drill two Ø25mm (1") hole in door edge.
- D:** Cut out two 58x26x3mm (2-9/32"x1"x1/8") base.

## Latch Preparation



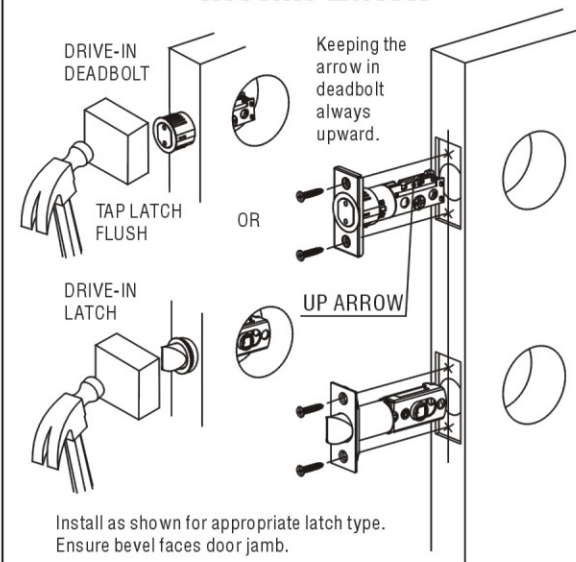
### If Needed, Change Latch Faceplate

- A:** Separate faceplate from backplate as shown.
- B: FOR DRIVE-IN LATCH:** Rotate backplate and slide off latch.
- C:** Snap on drive-in faceplate and secure with collar.

### Instruction For Adjustable Latch

The cam is pushed fully to the right for 70mm(2-3/4") backset. (During the adjustment, keeping two teeth of the cam forward always.)

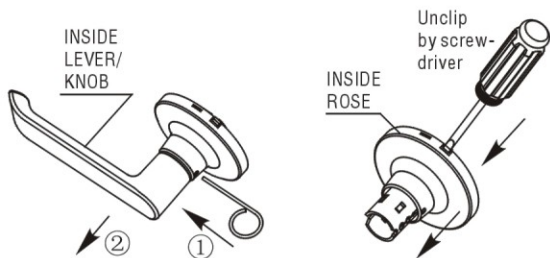
## Install Latch



Install as shown for appropriate latch type. Ensure bevel faces door jamb.

**1**

## DISASSEMBLE INSIDE LEVER/KNOB AND INSIDE ROSE

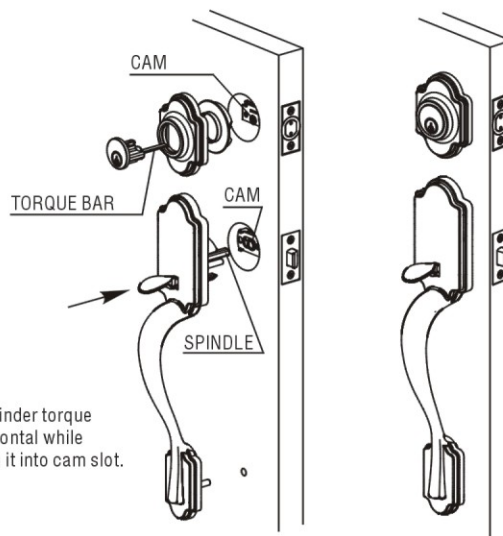


\*Insert push pin into hole to depress catch and remove lever.

\*Remove inside rose.

**2**

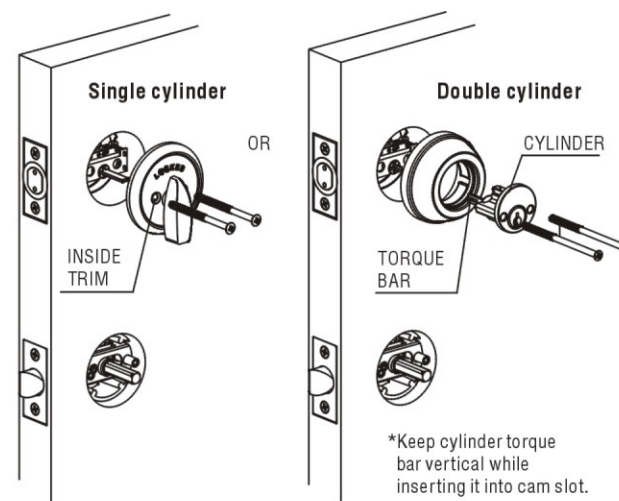
## INSTALL OUTSIDE HANDLE



\*Keep cylinder torque bar horizontal while inserting it into cam slot.

**3**

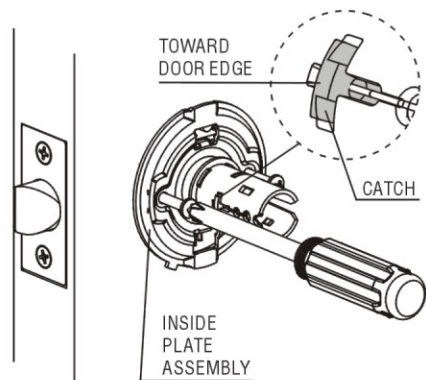
## INSTALL INSIDE TRIM OR CYLINDER



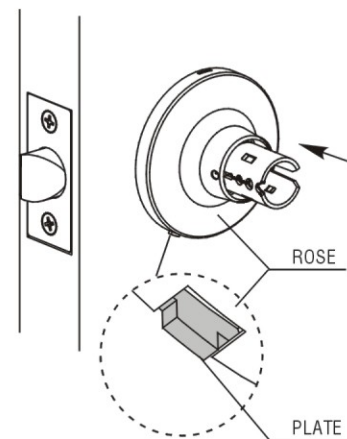
\*Keep cylinder torque bar vertical while inserting it into cam slot.

# 4 INSTALL INSIDE HANDLE

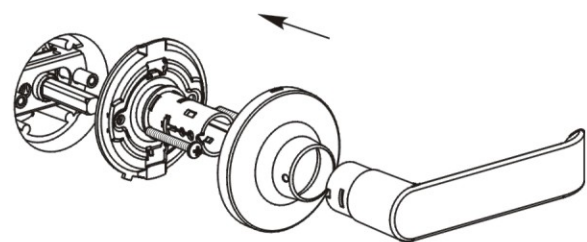
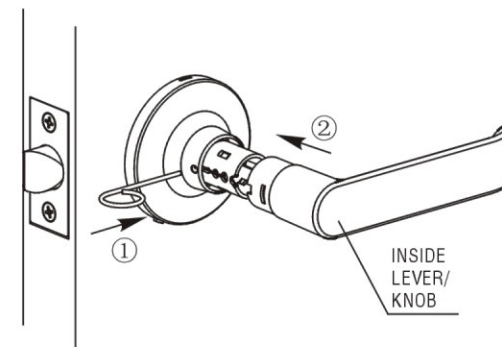
## 4A: INSTALL INSIDE PLATE ASSEMBLY



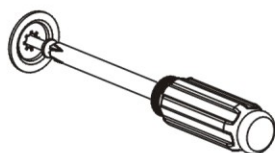
## 4B: INSTALL INSIDE ROSE



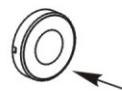
## 4C: INSTALL INSIDE LEVER/KNOB



## 4D: INSTALL SPACER



## 4E: INSTALL SPACER COVER



# 5 INSTALL STRIKE

