

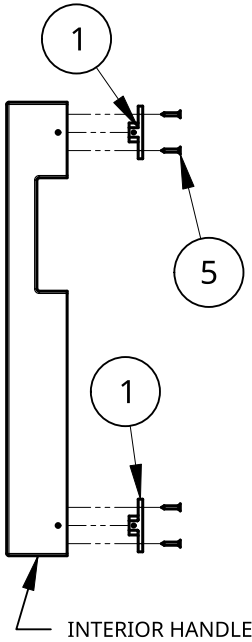


NEW ZEALAND | 0800 10 10 28
 sales@parkwooddoors.co.nz
 parkwooddoors.co.nz

AUSTRALIA | 1800 681 586
 sales@parkwooddoors.com.au
 parkwooddoors.com.au

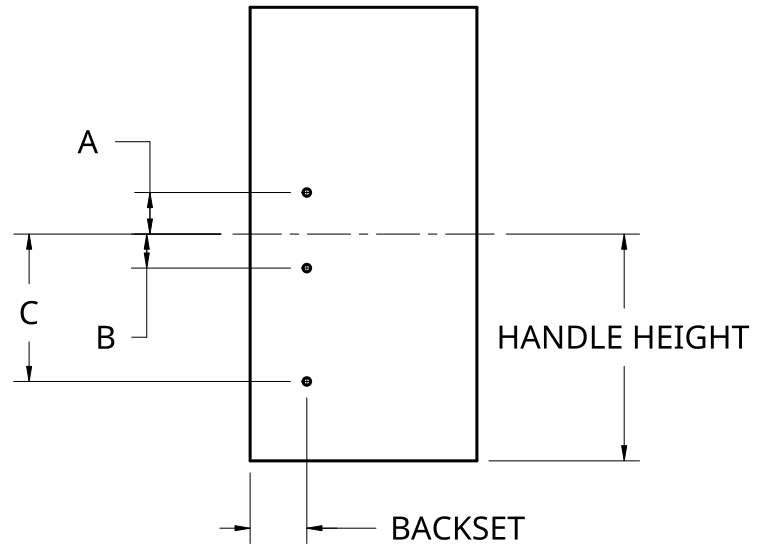
HANDLE DRILLING				
CODE	HANDLE	A	B	C
HAN6450A	450 PULL HANDLE	100	270	-
HAN6600A	600 PULL HANDLE	135	385	-
HAN6800A	800 PULL HANDLE	170	550	-
HAN71800A	1800 LONG PULL HANDLE	860	210	860
HAN72000A	2000 LONG PULL HANDLE	960	235	960
HAN72200A	2200 LONG PULL HANDLE	1060	260	1060
HAN72400A	2400 LONG PULL HANDLE	1160	285	1160

1. ASSEMBLE PULL HANDLE

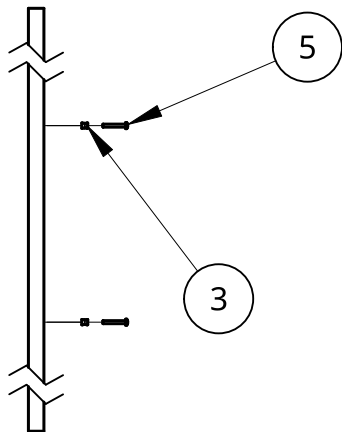


2. MARK AND DRILL DOOR

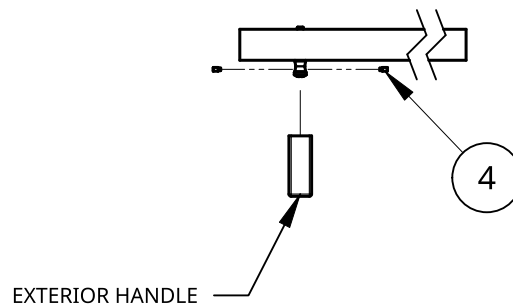
DRILL A Ø3 PILOT HOLE, 25MM DEEP



3. MOUNT BUSHES



3. MOUNT HANDLE



KIT CONTENTS			
NO	ITEM	HAN7__ TBA	HAN6__ TBA
1	SPIGOT A	3	2
3	BUSH	3	2
4	M5 x 10 GRUB SCREW	6	4
5	14ga x 50 CSK SCREW	3	2
6	8ga x 25 CSK SCREW	12	8
7	ALLEN KEY	1	1

Product Description:			
NIXON BATTEN PULL HANDLE			
Product Code:	HAN__A	Date:	07/06/2023
Material:		Units:	EACH