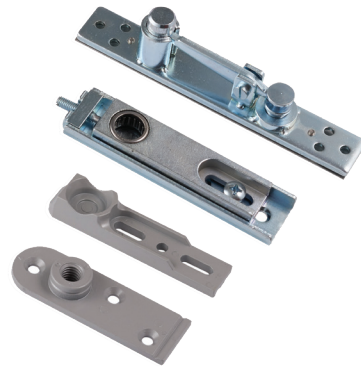


Briton

2800 Series

Pivot set



The Briton 2800 Pivot Set is designed to accommodate architectural and doors. Pivot sets provide a seamless way of hanging doors, enabling them to swing in either direction. It suits doors with a minimum thickness of 40mm and a width up to 1100mm.

Each pivot set comes complete with top and bottom pivots and door components, including all required parts to complete installation on either a timber or metal door. Functional and practical, the transom closer is suited to an array of commercial projects.

Features

- Fully adjustable spring strength to suit door size and site
- Stainless steel cover plate for top pivot
- Suitable for timber and metal doors. Supplied with all required fixings
- Needle roller bearing for top pivot
- Suited to doors with a minimum thickness of 40mm and a width up to 1100mm. Maximum door weight is 80kg
- Height adjustable bottom strap for easier installation
- The 10-year mechanical warranty provides specifiers and users with assured quality and performance

Warranties	
Mechanical	10 years
Finish	allegion.co.nz/finisheswarranty

Specification guide

Model	Finish
Pivotset.....2800	Satin stainless steel.....SSS

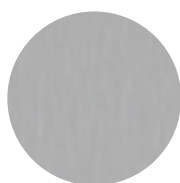
1. Model

Select the desired function e.g. Pivot set.....2800

2. Finish

Select the desired finish e.g. Satin stainless steel.....2800SSS

Finish



SSS

Satin Stainless
Steel

Specifications

Door type	Timber or metal
Door weight	Maximum 80kg
Door thickness	40mm minimum
Door size	1100mm maximum
Material	Aluminium, carbon steel, and stainless steel
Supplied as	Trade pack with screws

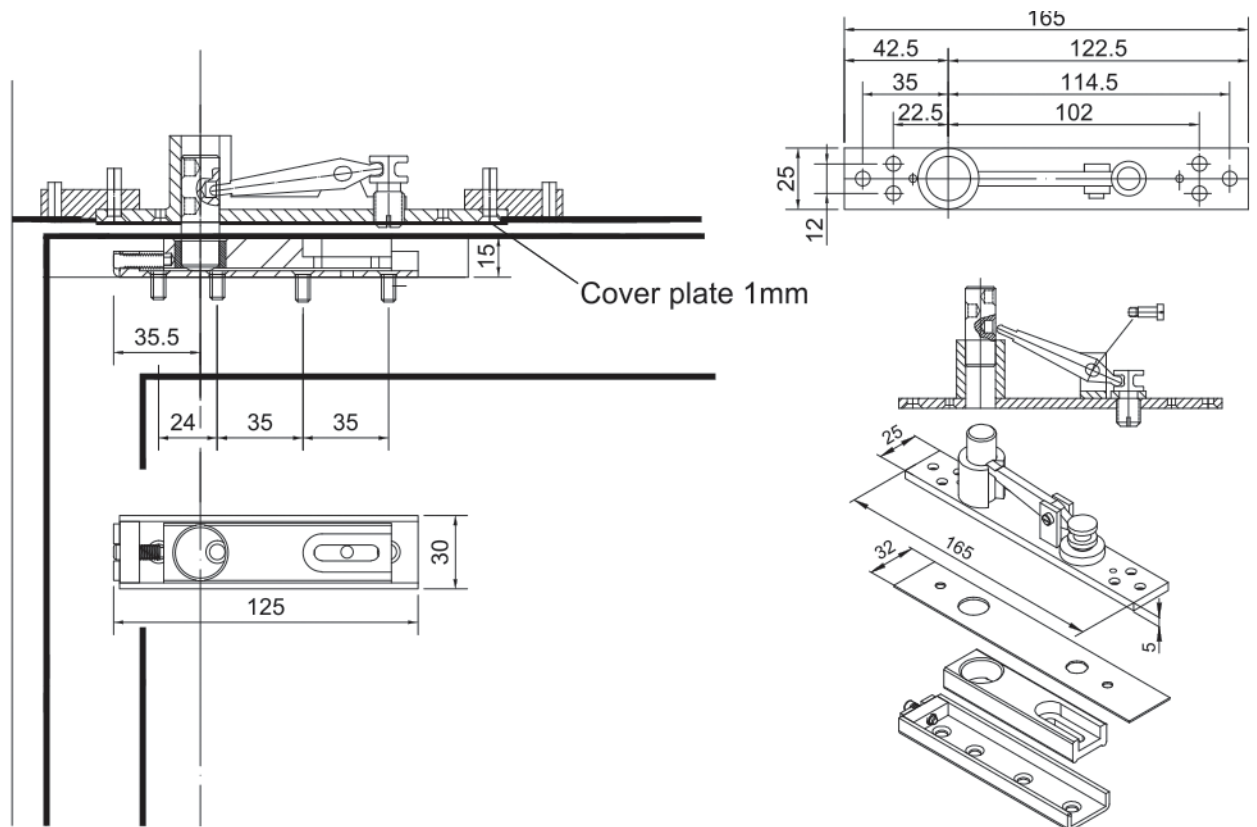
Mounting details

Concealed mounting

The bottom pivot is attached to the floor and the top pivot is anchored to the head frame. A minimum door thickness of 40mm is required. Recommended minimum distance from jamb to pivot centre line is 70mm.

Recommended minimum door clearance is 3mm at top of door and 5mm at bottom of door.

Top pivot



Bottom pivot

